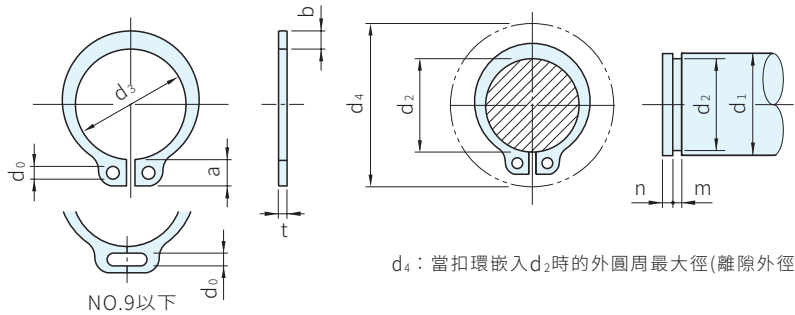


RoHS SUS



鋼			不銹鋼
材質	處理	硬度	材質
彈簧鋼	染黑	HRC44~52	SUS420

鋼		不銹鋼		NO.	扣環					適用軸(參考)					數量/袋	
品號	庫存	品號	庫存		d ₃	t	b	a	d ₀	d ₄	d ₁	d ₂	m	n	鋼	不銹鋼
散裝	袋裝	散裝	袋裝		公差	公差			min.		公差	公差	min.			
5507.031	CAP-5507.031	-	-	3	2.7	0.25	0.5	1.7	0.7	7.0	3	2.85	0.35	0.3	10000	5000
-	-	5507.030	CAP-5507.030	4	3.7	0.30	0.9	2.2	0.8	9.0	4	3.80	0.50	0.3	5000	
5507.041	CAP-5507.041	5507.040	CAP-5507.040	5	4.7	0.4	1.1	2.4	0.8	10.5	5	4.80	0.70	1.5	5000	
5507.061	CAP-5507.061	5507.060	CAP-5507.060	6	5.6	0.7	1.3	2.8	1.0	12.0	6	5.70	0.80	0.6	2000	2000
5507.071	CAP-5507.071	5507.070	CAP-5507.070	7	6.5	±0.04	1.4	3.0	1.0	14.0	7	6.70	0.90	0.6	2000	2000
5507.081	CAP-5507.081	5507.080	CAP-5507.080	8	7.4	±0.10	1.6	3.2	1.0	15.0	8	7.60	±0.06	0.6	2000	2000
5507.091	CAP-5507.091	-	-	9	8.4	±0.15	1.8	3.0	1.2	16.0	9	8.60	±0.09	0.6	2000	2000
5507.101	CAP-5507.101	5507.100	CAP-5507.100	10	9.3	±0.15	2.0	3.1	1.2	17.0	10	9.60	±0.09	0.6	2000	2000
5507.111	CAP-5507.111	-	-	11	10.2	±0.15	2.0	3.1	1.2	18.0	11	10.50	±0.09	0.6	2000	2000
5507.121	CAP-5507.121	5507.120	CAP-5507.120	12	11.1	±0.15	2.1	3.2	1.5	19.0	12	11.50	±0.11	0.6	2000	2000
5507.131	CAP-5507.131	5507.130	CAP-5507.130	13	12.0	±0.15	2.1	3.3	1.5	20.0	13	12.40	±0.11	0.6	2000	2000
5507.141	CAP-5507.141	5507.140	CAP-5507.140	14	12.9	±0.18	2.2	3.5	1.7	22.0	14	13.40	±0.11	0.6	2000	2000
5507.151	CAP-5507.151	5507.150	CAP-5507.150	15	13.8	±0.18	2.2	3.6	1.7	23.0	15	14.30	±0.11	0.6	2000	2000
5507.161	CAP-5507.161	5507.160	CAP-5507.160	16	14.7	±0.18	2.2	3.6	1.7	24.0	16	15.20	±0.11	0.6	2000	2000
5507.171	CAP-5507.171	5507.170	CAP-5507.170	17	15.7	±0.18	2.6	3.7	1.7	25.0	17	16.20	±0.11	0.6	2000	2000
5507.181	CAP-5507.181	5507.180	CAP-5507.180	18	16.5	±0.18	2.6	3.8	1.7	26.0	18	17.00	±0.11	0.6	2000	2000
5507.191	CAP-5507.191	5507.190	CAP-5507.190	19	17.5	±0.18	2.6	3.8	1.7	27.0	19	18.00	±0.11	0.6	2000	2000
5507.201	CAP-5507.201	5507.200	CAP-5507.200	20	18.5	±0.18	2.7	3.9	1.7	28.0	20	19.00	±0.11	0.6	2000	2000
5507.211	CAP-5507.211	5507.210	CAP-5507.210	21	19.5	±0.18	2.7	4.0	1.7	30.0	21	20.00	±0.11	0.6	2000	2000
5507.221	CAP-5507.221	5507.220	CAP-5507.220	22	20.5	±0.18	2.7	4.1	1.7	31.0	22	21.00	±0.11	0.6	2000	2000
5507.231	CAP-5507.231	-	-	23	21.4	±0.18	2.9	4.5	2.0	32.5	23	22.00	±0.11	0.6	2000	2000
5507.241	CAP-5507.241	5507.240	CAP-5507.240	24	22.2	±0.18	2.9	4.5	2.0	33.0	24	22.90	±0.11	0.6	2000	2000
5507.251	CAP-5507.251	5507.250	CAP-5507.250	25	23.2	±0.2	3.1	4.3	2.0	34.0	25	23.90	±0.21	0.6	2000	2000
5507.261	CAP-5507.261	5507.260	CAP-5507.260	26	24.2	±0.2	3.1	4.4	2.0	35.0	26	24.90	±0.21	0.6	2000	2000
5507.271	CAP-5507.271	-	-	27	25.0	±0.2	3.3	4.5	2.0	36.0	27	25.80	±0.21	0.6	2000	2000
5507.281	CAP-5507.281	5507.280	CAP-5507.280	28	25.9	±0.2	3.1	4.6	2.0	38.0	28	26.60	±0.21	0.6	2000	2000
5507.291	CAP-5507.291	-	-	29	26.9	±0.2	3.1	4.7	2.0	39.0	29	27.60	±0.21	0.6	2000	2000
5507.301	CAP-5507.301	5507.300	CAP-5507.300	30	27.9	±0.2	3.5	4.8	2.0	40.0	30	28.60	±0.21	0.6	2000	2000
5507.321	CAP-5507.321	5507.320	CAP-5507.320	32	29.6	±0.25	5.0	5.0	2.5	43.0	32	30.30	±0.25	0.6	2000	2000
5507.341	CAP-5507.341	-	-	34	31.5	±0.25	5.3	5.3	2.5	45.0	34	32.30	±0.25	0.6	2000	2000
5507.351	CAP-5507.351	5507.350	CAP-5507.350	35	32.2	±0.25	4.0	5.4	2.5	46.0	35	33.00	±0.25	0.6	2000	2000
5507.361	CAP-5507.361	-	-	36	33.2	±0.25	5.6	5.6	2.5	47.0	36	34.00	±0.25	0.6	2000	2000
5507.381	CAP-5507.381	-	-	38	35.2	±0.25	5.6	5.6	2.5	50.0	38	36.00	±0.25	0.6	2000	2000
5507.401	CAP-5507.401	5507.400	CAP-5507.400	40	37.0	±0.4	4.5	5.8	2.5	53.0	40	38.00	±0.25	0.6	2000	2000
5507.421	CAP-5507.421	-	-	42	38.5	±0.4	6.2	6.2	2.5	55.0	42	39.50	±0.25	0.6	2000	2000
5507.451	CAP-5507.451	5507.450	CAP-5507.450	45	41.5	±0.4	4.8	6.3	2.5	58.0	45	42.50	±0.25	0.6	2000	2000
5507.471	CAP-5507.471	-	-	47	43.4	±0.4	5.0	6.6	2.5	61.0	47	44.50	±0.25	0.6	2000	2000
5507.481	CAP-5507.481	-	-	48	44.5	±0.4	5.0	6.5	2.5	62.0	48	45.50	±0.25	0.6	2000	2000
5507.501	CAP-5507.501	5507.500	CAP-5507.500	50	45.8	±0.45	4.8	6.7	2.5	64.5	50	47.00	±0.3	0.6	2000	2000
5507.521	CAP-5507.521	-	-	52	47.8	±0.45	5.0	6.8	2.5	66.0	52	49.00	±0.3	0.6	2000	2000
5507.551	CAP-5507.551	5507.550	CAP-5507.550	55	50.8	±0.45	5.0	7.0	2.5	70.0	55	52.00	±0.3	0.6	2000	2000
5507.561	CAP-5507.561	-	-	56	51.8	±0.45	5.5	7.1	2.5	71.0	56	53.00	±0.3	0.6	2000	2000
5507.581	CAP-5507.581	-	-	58	53.8	±0.45	5.5	7.1	2.5	73.0	58	55.00	±0.3	0.6	2000	2000
5507.601	CAP-5507.601	5507.600	CAP-5507.600	60	55.8	±0.45	5.5	7.2	2.5	75.0	60	57.00	±0.3	0.6	2000	2000

鋼		不銹鋼			NO.	扣環					適用軸(參考)					數量/袋												
品號		品號		庫存		d ₃	t	b	a	d ₀	d ₄	d ₁	d ₂	m	n	鋼	不銹鋼											
散裝	袋裝	散裝	袋裝	庫存	公差	公差			min.			公差	公差	min.														
5507.621	CAP-5507.621	·			62	57.8	±0.07	5.5	7.2	2.5	77	62	59.0	2.2	2.0	100												
5507.631	CAP-5507.631	·			63	58.8												7.3	78	63	60.0							
5507.651	CAP-5507.651	·			65	60.8												7.4	81	65	62.0							
5507.681	CAP-5507.681	·			68	63.5												6.4	84	68	65.0							
5507.701	CAP-5507.701	·			70	65.5												7.8	86	70	67.0							
5507.721	CAP-5507.721	·			72	67.5												7.0	88	72	69.0							
5507.751	CAP-5507.751	·			75	70.5												7.9	92	75	72.0							
5507.781	CAP-5507.781	·			78	73.5												8.1	95	78	75.0							
5507.801	CAP-5507.801	·	5507.800	CAP-5507.800	·	80												74.5	7.4	8.2	97	80	76.5				50	50
5507.821	CAP-5507.821	·			82	76.5												8.3	99	82	78.5							
5507.851	CAP-5507.851	·			85	79.5	8.4	103	85	81.5																		
5507.881	CAP-5507.881	·			88	82.5	8.0	106	88	84.5																		
5507.901	CAP-5507.901	·			90	84.5	8.7	108	90	86.5	±0.35	3.2	3.0	+0.18	3.0													
5507.951	CAP-5507.951	·			95	89.5	8.6	114	95	91.5																		
5507.1001	CAP-5507.1001	·			100	94.5	9.0	119	100	96.5																		
5507.1051	CAP-5507.1051	·			105	98.0	9.8	125	105	101.0																		
5507.1101	CAP-5507.1101	·			110	103.0	9.5	131	110	106.0																		
5507.1151	CAP-5507.1151	·			115	108.0	10.5	137	115	111.0																		
5507.1201	CAP-5507.1201	·			120	113.0	10.3	143	120	116.0																		
5507.1251	CAP-5507.1251	·			125	118.0	11.3	148	125	121.0																		
5507.1301	CAP-5507.1301	·			130	123.0	11.0	154	130	126.0																		
5507.1351	CAP-5507.1351	·			135	128.0	11.5	159	135	131.0																		
5507.1401	CAP-5507.1401	·			140	133.0	11.6	164	140	136.0																		
5507.1451	CAP-5507.1451	·			145	138.0	11.8	170	145	141.0																		
5507.1501	CAP-5507.1501	·			150	142.0	12.2	175	150	145.0																		
5507.1551	CAP-5507.1551	·			155	146.0	12.9	181	155	150.0																		
5507.1601	CAP-5507.1601	·			160	151.0	13.1	186	160	155.0																		
5507.1651	CAP-5507.1651	·			165	155.5	12.9	192	165	160.0																		
5507.1701	CAP-5507.1701	·			170	160.5	13.5	197	170	165.0																		
5507.1751	CAP-5507.1751	·			175	165.5		202	175	170.0																		
5507.1801	CAP-5507.1801	·			180	170.5		208	180	175.0																		
5507.1851	CAP-5507.1851	·			185	175.5		213	185	180.0																		
5507.1901	CAP-5507.1901	·			190	180.5		219	190	185.0																		
5507.1951	CAP-5507.1951	·			195	185.5		224	195	190.0																		
5507.2001	CAP-5507.2001	·			200	190.5		229	200	195.0																		
5507.2101	CAP-5507.2101	·			210	198.0	±0.15	14.0	-0.72	4.0	239	210	204.0	5.2	+0.25	9.0												
5507.2201	CAP-5507.2201	·			220	208.0												12.9	249	220	214.0							
5507.2301	CAP-5507.2301	·			230	218.0												13.5	259	230	224.0							
5507.2401	CAP-5507.2401	·			240	228.0													269	240	234.0							
5507.2501	CAP-5507.2501	·			250	238.0													279	250	244.0							
5507.2601	CAP-5507.2601	·			260	245.0													293	260	252.0							
5507.2701	CAP-5507.2701	·			270	255.0													303	270	262.0							
5507.2801	CAP-5507.2801	·			280	265.0													313	280	272.0							
5507.2901	CAP-5507.2901	·			290	275.0													323	290	282.0							
5507.3001	CAP-5507.3001	·			300	285.0													333	300	292.0							

備註

- 軸用C型扣環拆裝工具請參考本單元SB、SS
- 目錄以外尺寸歡迎洽詢
- 不銹鋼產品缺貨時交期較久，請提前訂貨
- 無庫存品號請洽詢
- 袋裝訂貨，經濟實惠

訂貨： 交期： 天 ·

5507.821

CAP-5507.821

天 袋裝